



DUTYPOINT.COM

MICROBOOST MAX COLD WATER BOOSTER SET



Last updated:
28/08/24

MicroBOOST MAX



**High performance,
compact domestic cold
water booster.**

PRODUCT OVERVIEW

- Market leading efficiency
- High-quality construction with all wetted components stainless steel
- Fully maintainable and repairable
- 4-year warranty
- Up to 115 l/min and 6.5 bar

UK
CA CE

Key Features



Specification

MicroBOOST MAX is Dutypoint's latest space-saving domestic cold water booster has an IE5 permanent magnet motor and full remote access via the App bridge function. You can rest assured the high-quality construction makes it easy to use and maintain.

PRODUCT OVERVIEW

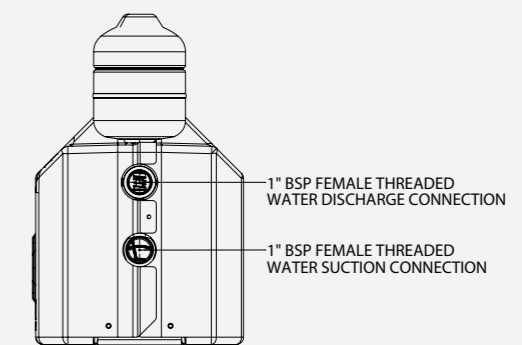
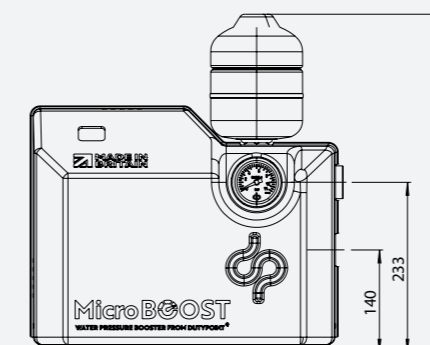
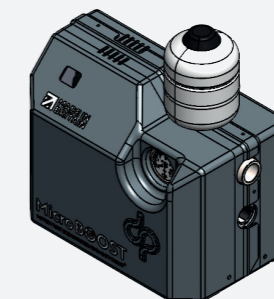
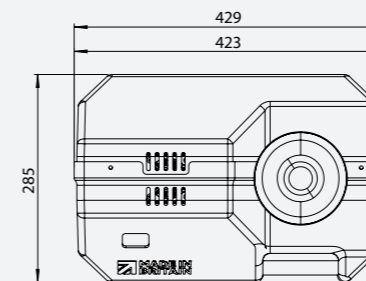
- High-quality construction materials, including stainless steel pump casing and impellers
- IE5 permanent magnet motor
- Full remote access via App bridge function
- Anti-seize function included, keeping pump parts freely moving even in event of long periods of non-use
- Fully maintainable and repairable = long design life
- Compact design
- Available with acoustic enclosure for ultra-quiet operation
- EMC compatibility for residential environment on single-phase models
- Water Regulation approval pending

TECHNICAL SPECIFICATION

Full load current	7 amps
Noise Level*	49 dB
Max. system pressure	10 bar
Max. pump head	6.5 bar
Max. flow	115 l/min
Pressure vessel capacity	2 litre
Pump casing & impeller material	Stainless steel
Pipe connections	1" BSP
IP rating	IP55

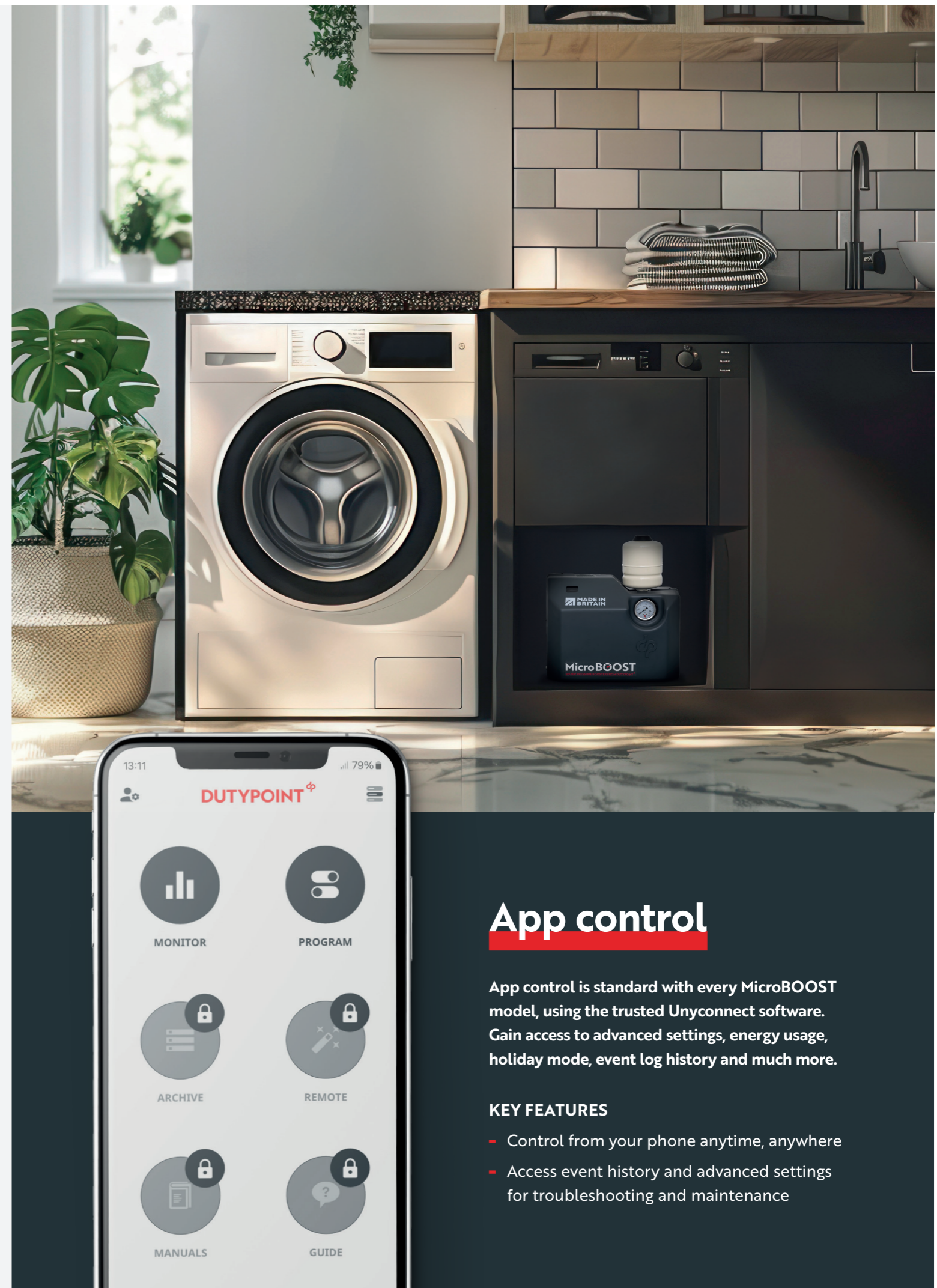
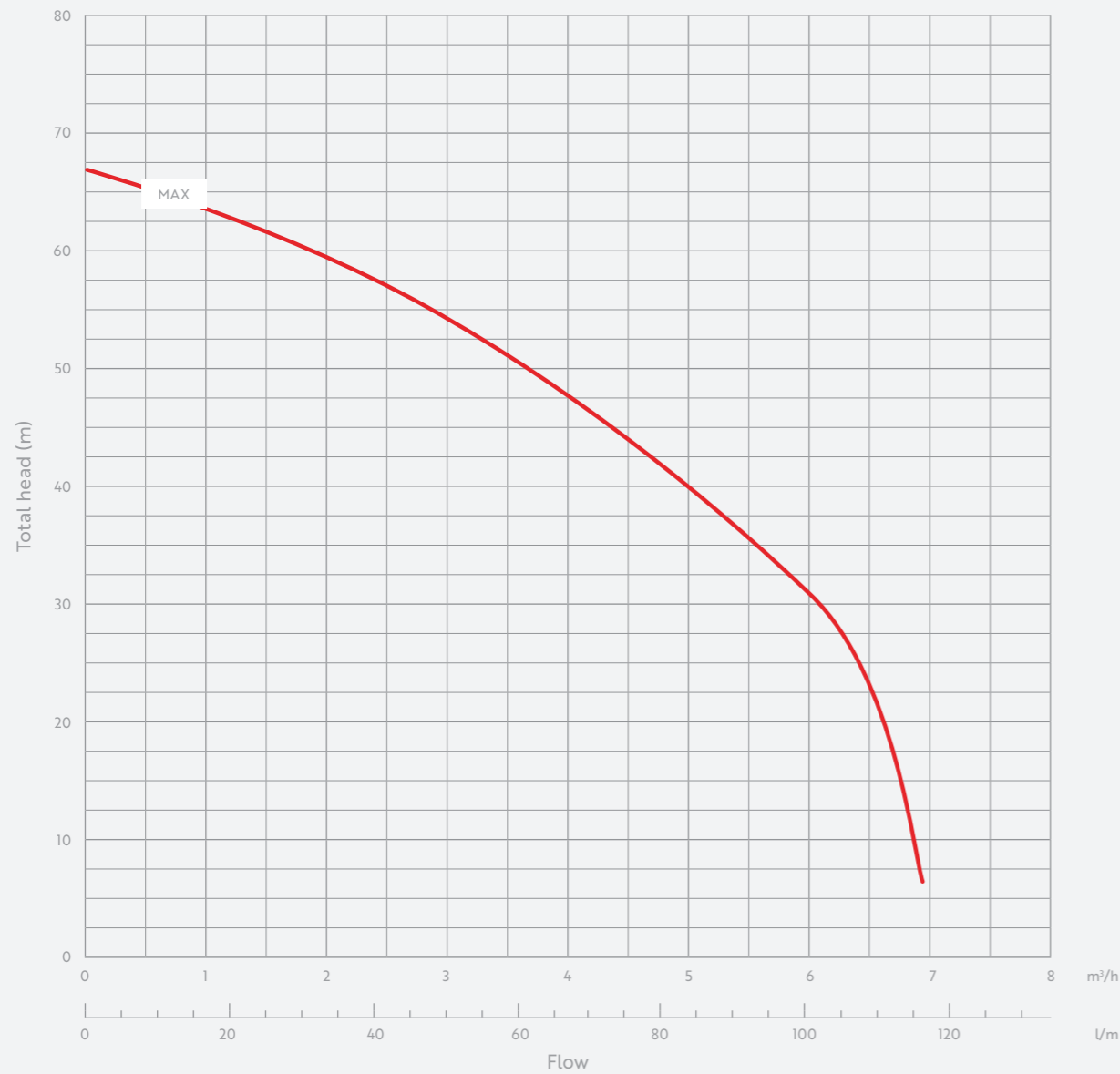
*At typical domestic duty.

DIMENSIONAL DRAWING



MicroBOOST MAXx Series

SINGLE PUMP CURVES





MicroBOOST
WATER PRESSURE BOOSTER FROM DUTYPOINT®

Let's talk about MicroBOOST

01452 300110

ENQUIRIES@DUTYPOINT.COM

DUTYPOINT.COM