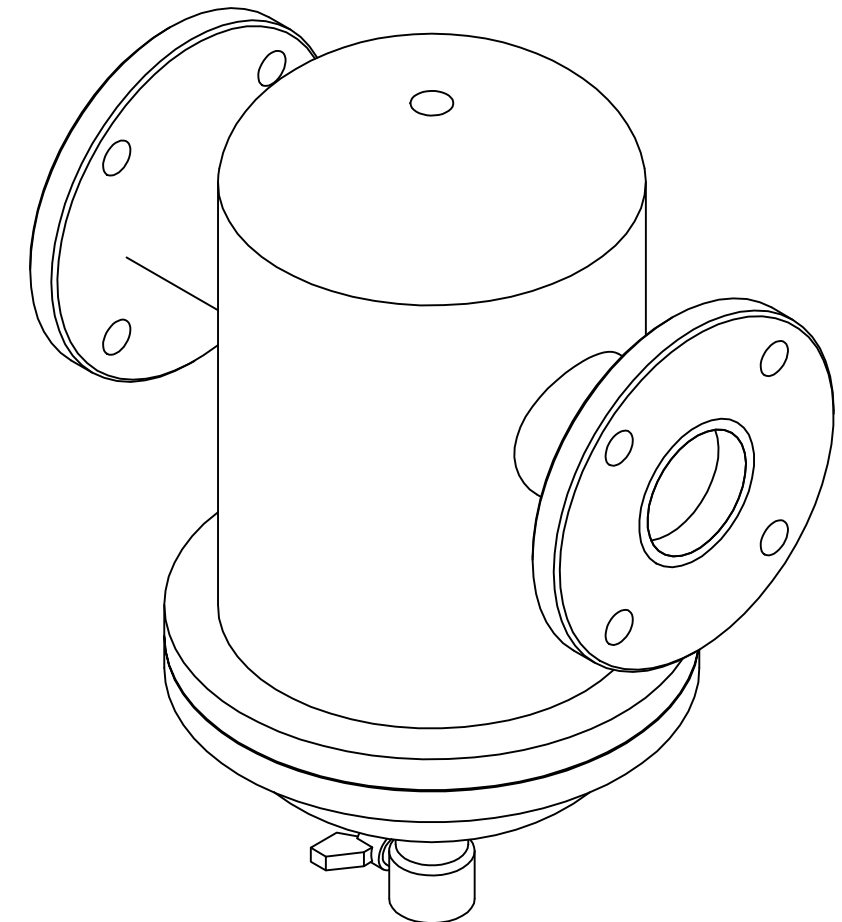


FLOW - 15 m³/h

VOLUME - 5 lt



	NAME	DATE			
DRAWN	nigel	04/03/13			
CHECKED			TITLE		
ENG APPR			CX65P-RE - SEPARATOR		
MGR APPR			SIZE	DWG NO	REV
UNLESS OTHERWISE SPECIFIED DIMENSIONS ARE IN MILLIMETERS ANGLES ±X.X° 2 PL ±X.XX 3 PL ±X.XXX			A3	CX65P-RE - SEPARATOR	A
			FILE NAME: CX65P-RE.dft		
SCALE:		WEIGHT:	SHEET 1 OF 1		