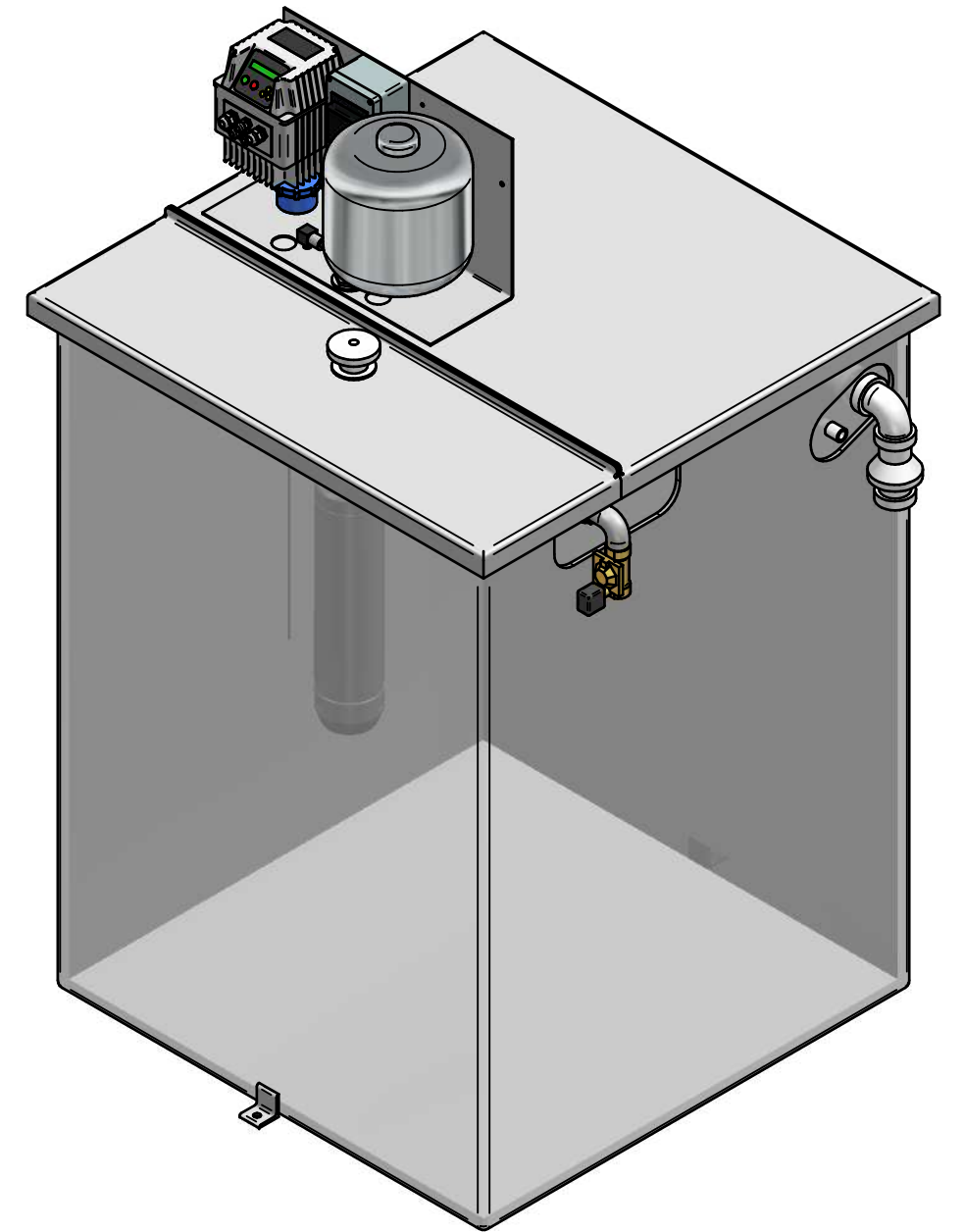
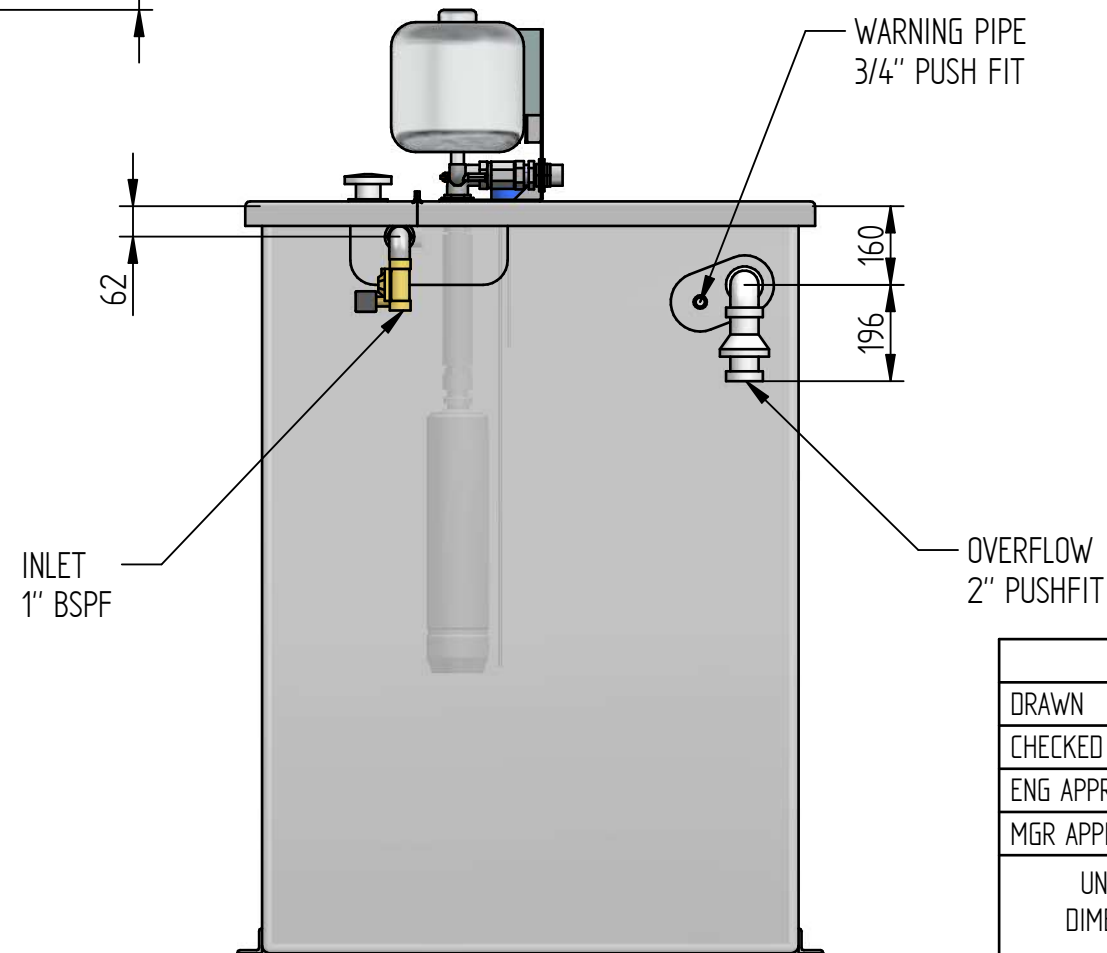
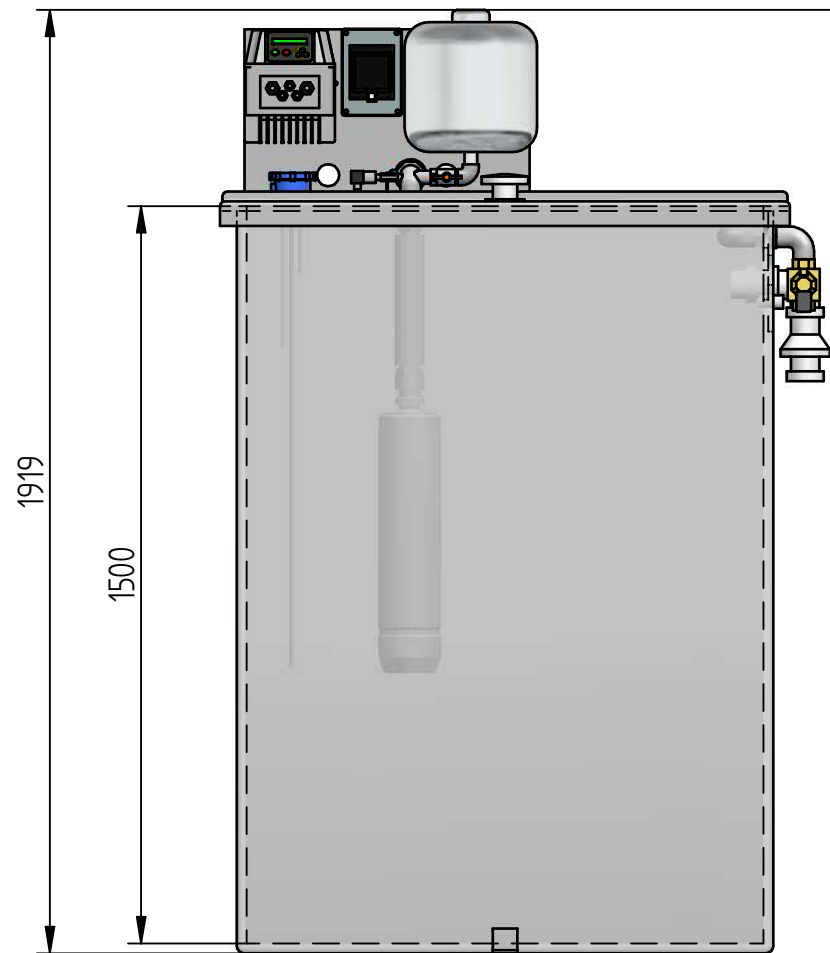
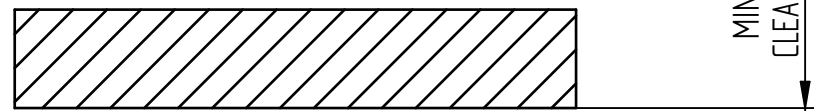



* SIZES MAY INCREASE TO 2" FOR HIGH FLOW UNITS

| REVISION HISTORY | | | |
|------------------|-------------|------|----------|
| REV | DESCRIPTION | DATE | APPROVED |
| | | | |



| | | | | | |
|---|-------|----------|---|-----------------------|--------------|
| | NAME | DATE |  | | |
| DRAWN | nigel | 05/03/13 | | | |
| CHECKED | | | | | |
| ENG APPR | | | | | |
| MGR APPR | | | TITLE | SCUBATANK 1250 SINGLE | |
| UNLESS OTHERWISE SPECIFIED DIMENSIONS ARE IN MILLIMETERS ANGLES ±X.X° 2 PL ±X.XX 3 PL ±X.XXX | | | SIZE | DWG NO | REV |
| | | | A3 | SCUBATANK 1250 SINGLE | |
| | | | FILE NAME: | SCUBATANK 1250.dft | |
| | | | SCALE: | WEIGHT: | SHEET 1 OF 1 |