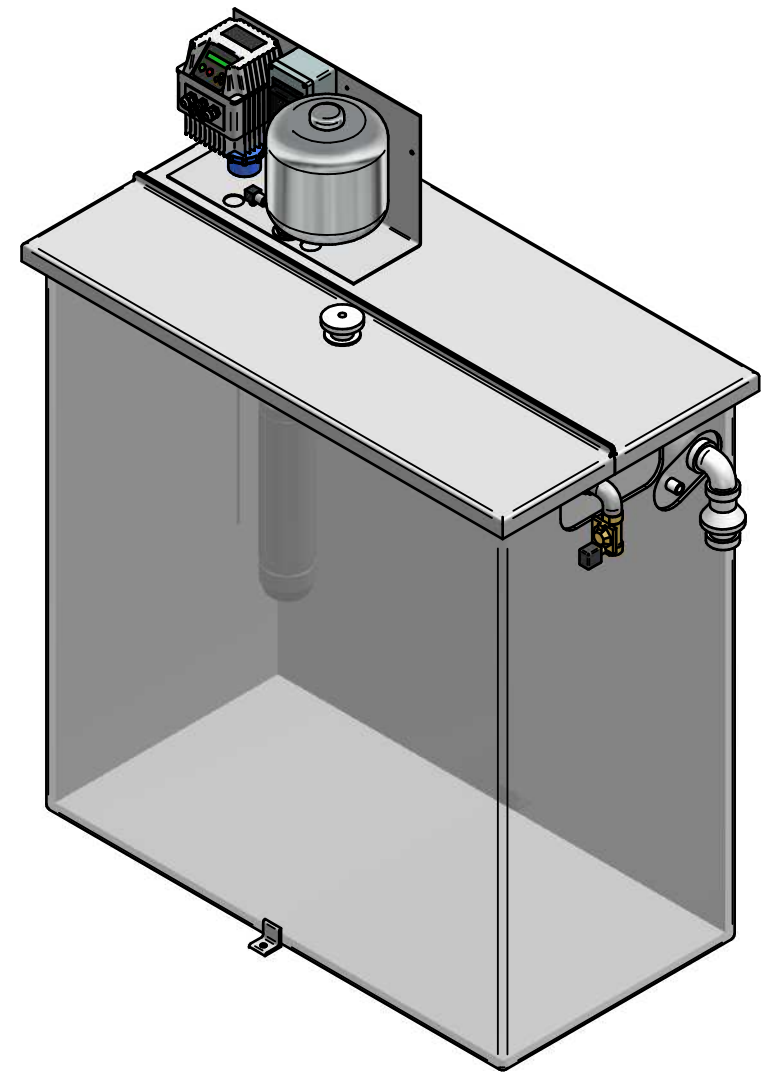
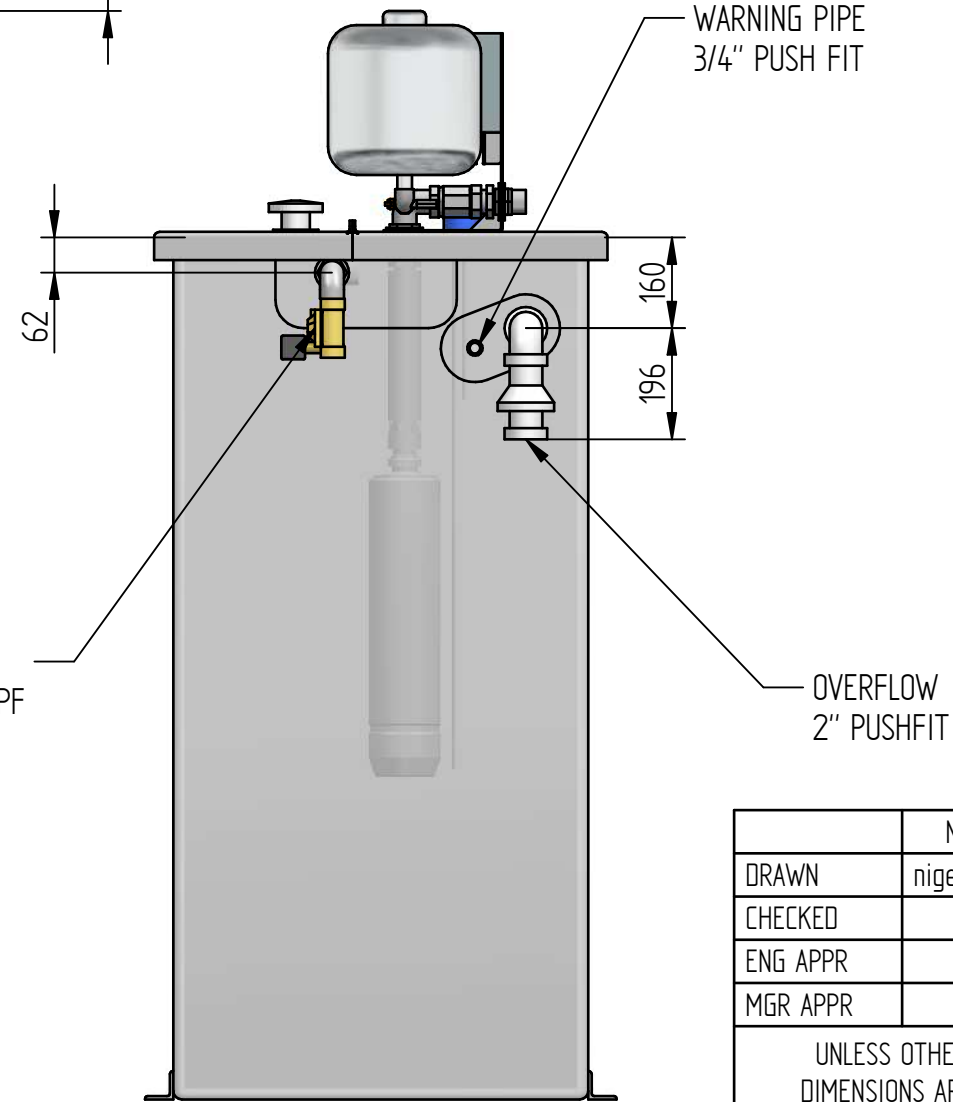
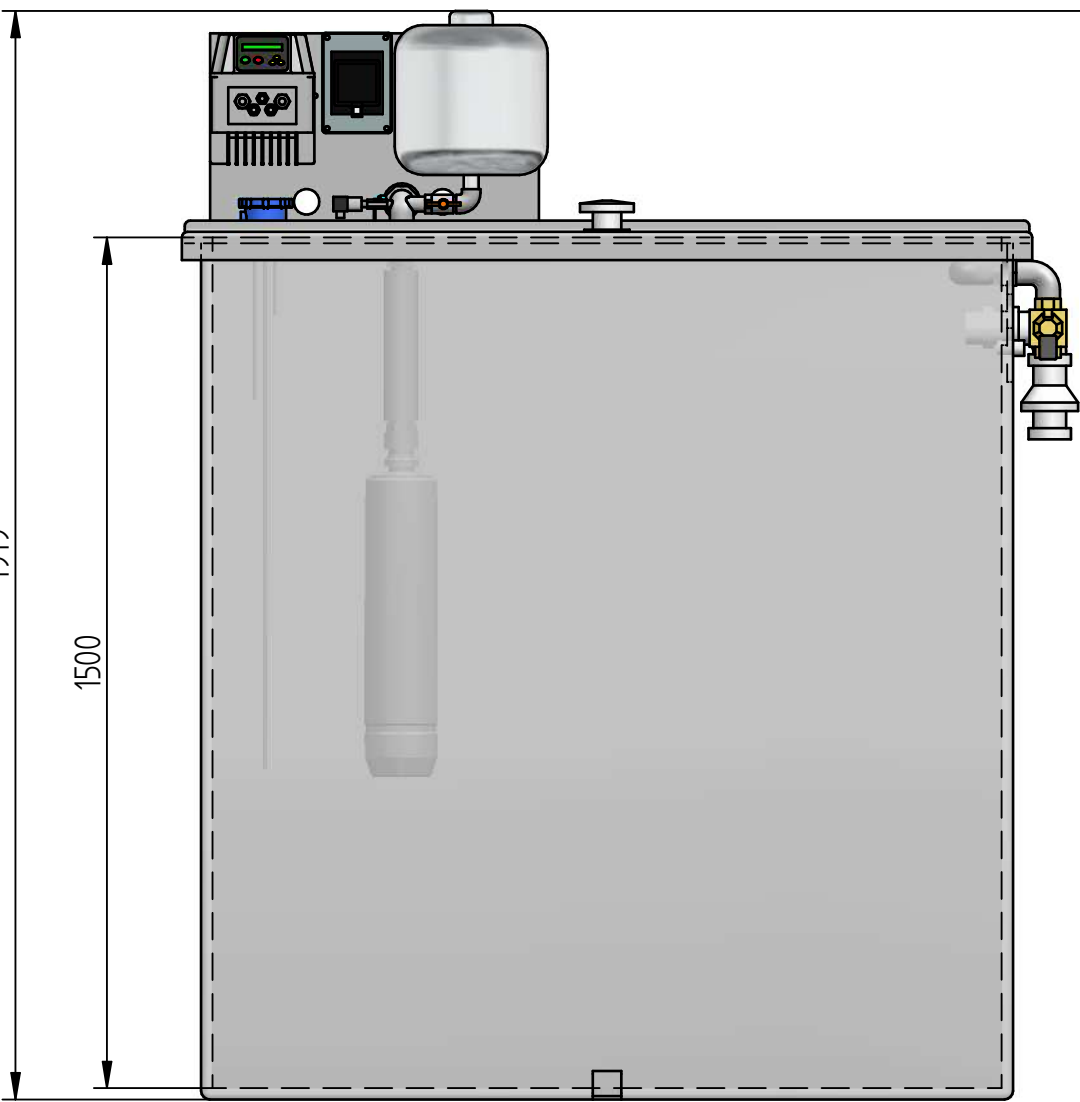
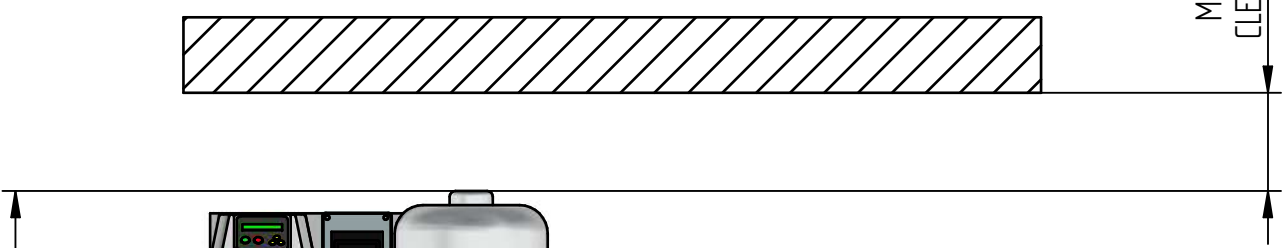



* SIZES MAY INCREASE TO 2" FOR HIGH FLOW UNITS

REVISION HISTORY			
REV	DESCRIPTION	DATE	APPROVED



DRAWN	NAME	DATE	 Dutypoint Systems			
CHECKED	nigel	05/03/13				
ENG APPR					TITLE	SCUBATANK 1050 SINGLE
MGR APPR					SIZE	A3
UNLESS OTHERWISE SPECIFIED DIMENSIONS ARE IN MILLIMETERS ANGLES ±X.X° 2 PL ±X.XX 3 PL ±X.XXX			DWG NO	SCUBATANK 1050 SINGLE	REV	
			FILE NAME:	SCUBATANK 1050.dft		
			SCALE:		WEIGHT:	
			SHEET 1 OF 1			