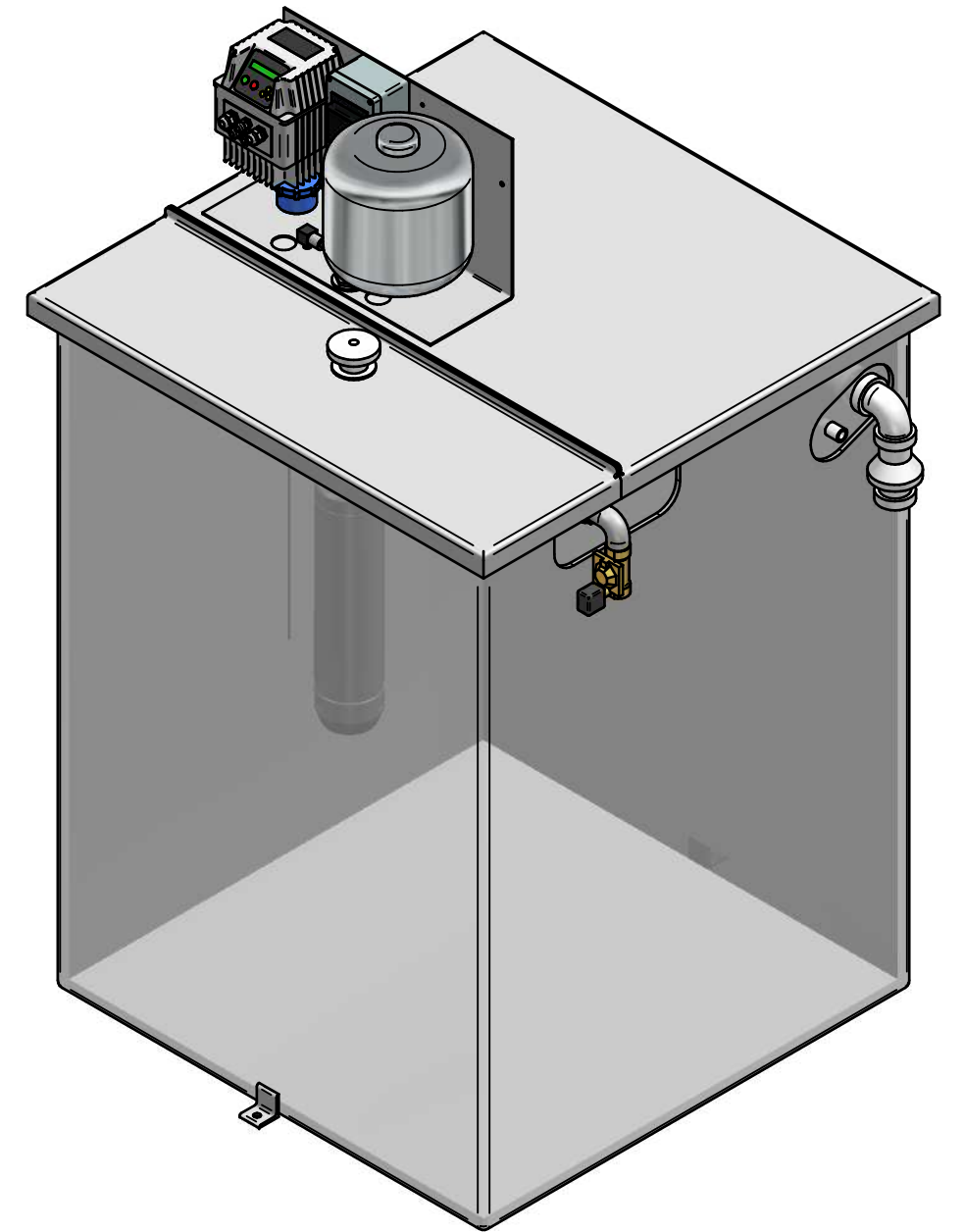
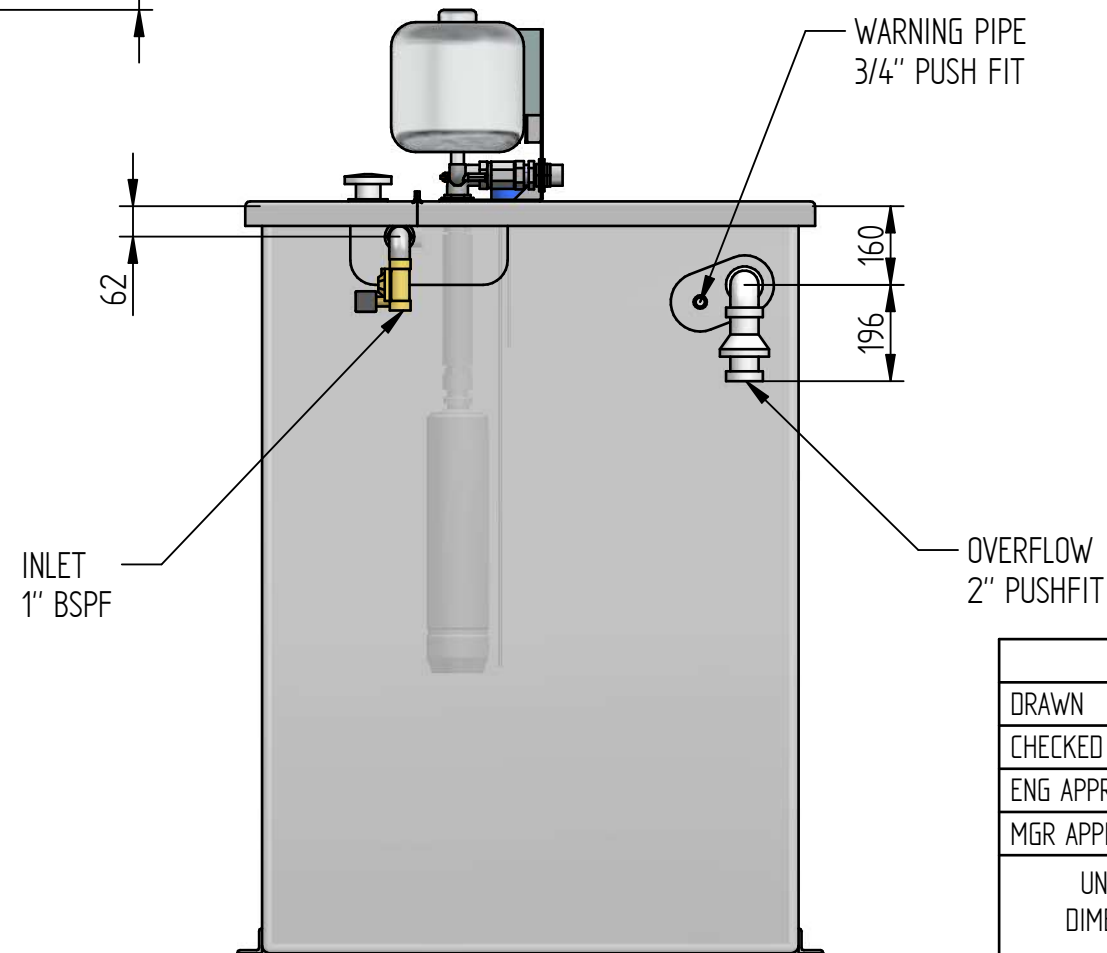
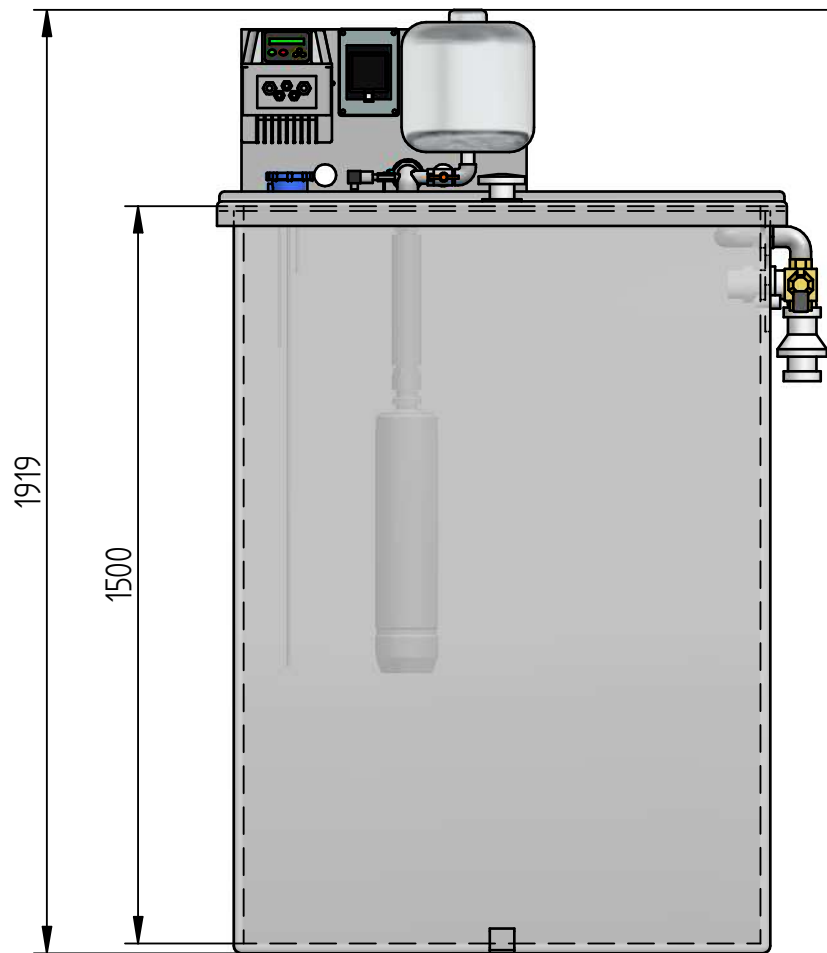
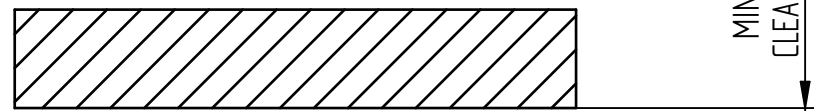



\* SIZES MAY INCREASE TO 2" FOR HIGH FLOW UNITS

REVISION HISTORY			
REV	DESCRIPTION	DATE	APPROVED



	NAME	DATE			
DRAWN	nigel	05/03/13			
CHECKED					
ENG APPR					
MGR APPR			TITLE	SCUBATANK 1250 SINGLE	
UNLESS OTHERWISE SPECIFIED DIMENSIONS ARE IN MILLIMETERS ANGLES ±X.X° 2 PL ±X.XX 3 PL ±X.XXX			SIZE	DWG NO	REV
			A3	SCUBATANK 1250 SINGLE	
			FILE NAME:	SCUBATANK 1250.dft	
			SCALE:	WEIGHT:	SHEET 1 OF 1