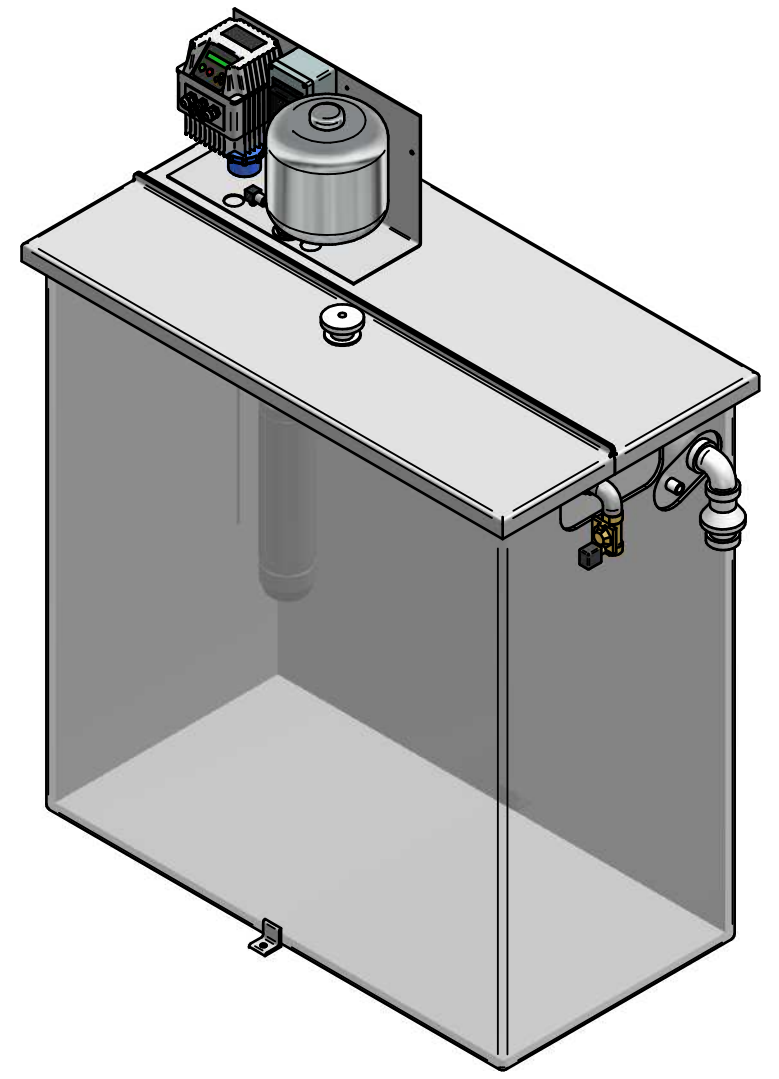
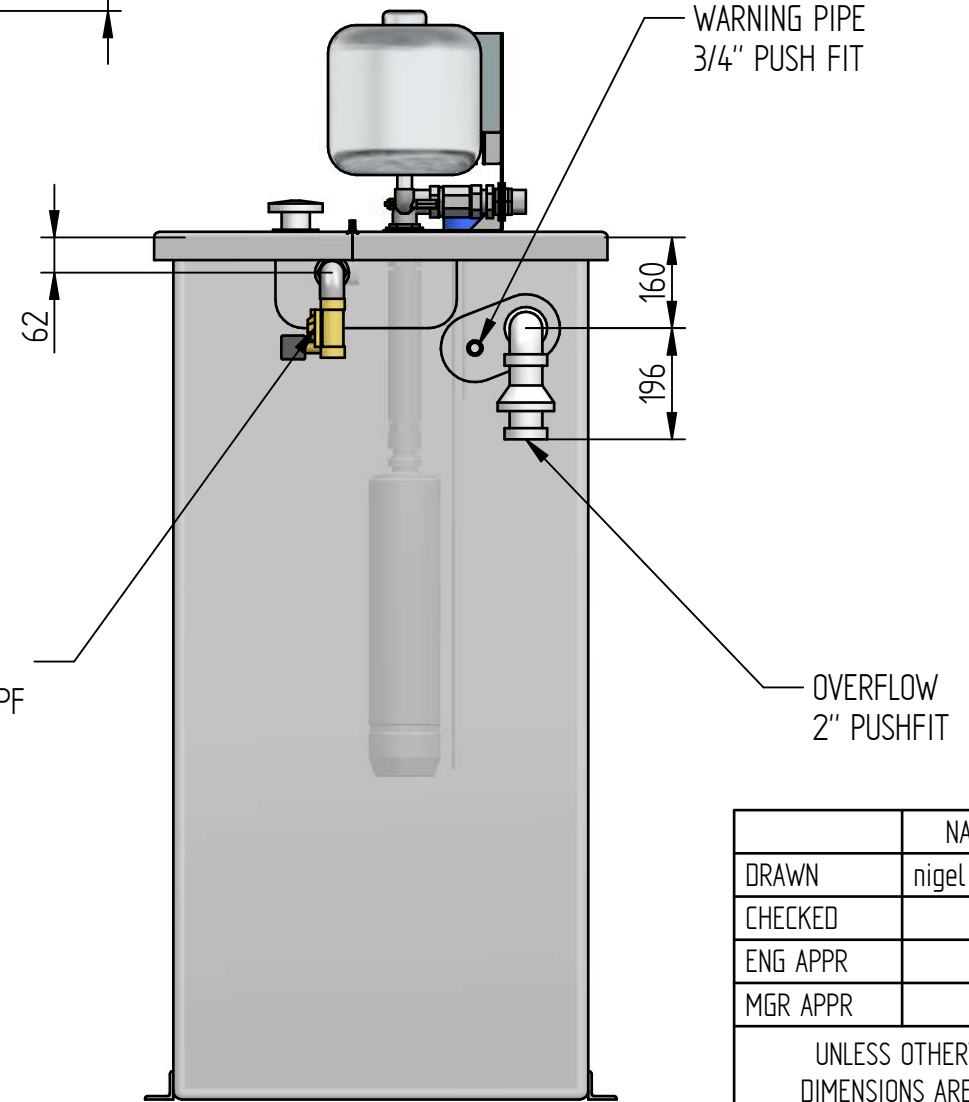
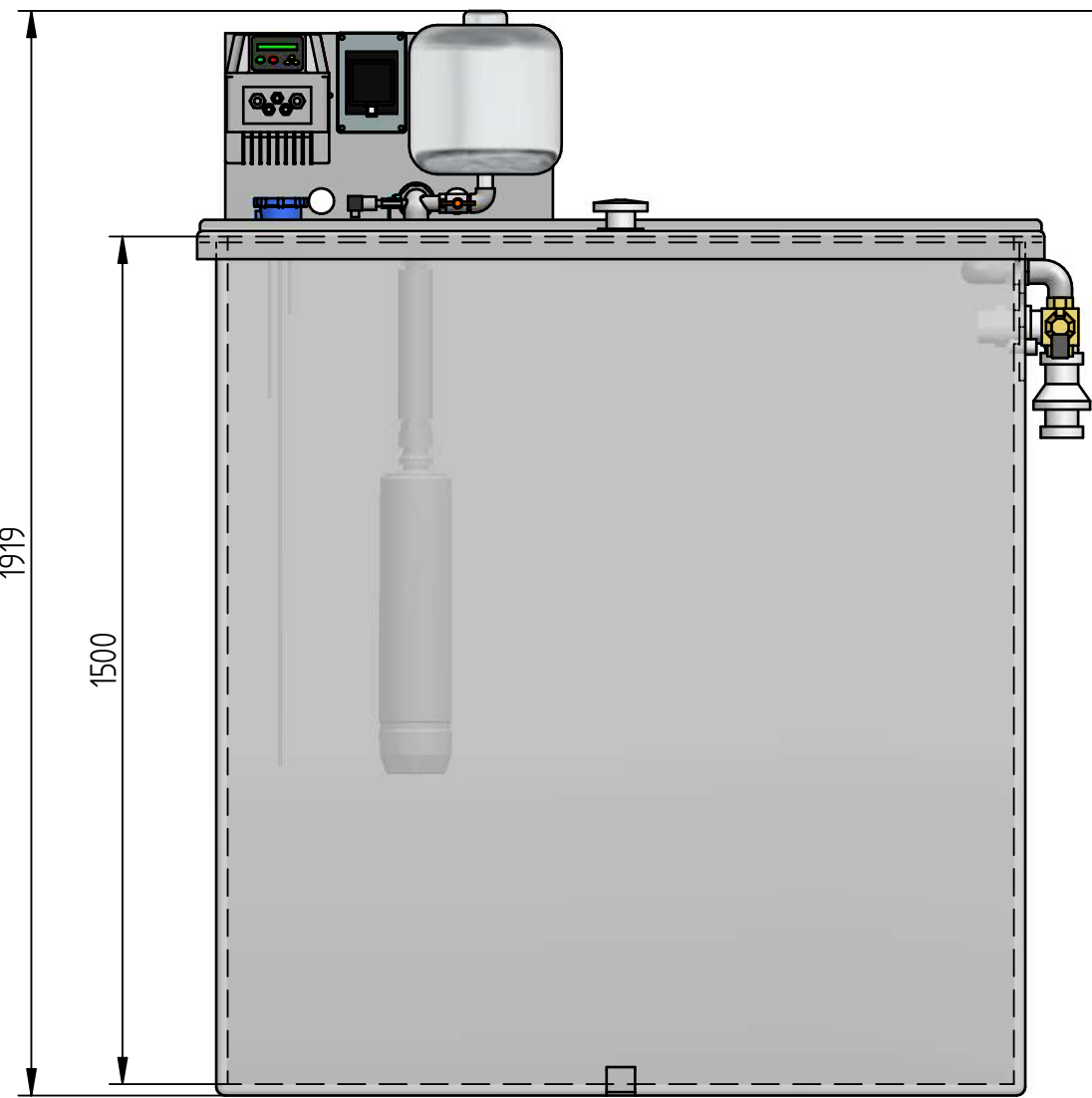
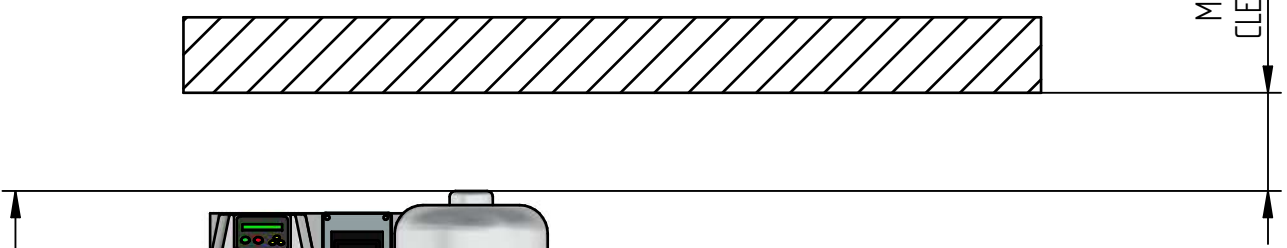



\*  
SIZES MAY INCREASE TO 2" FOR HIGH FLOW UNITS

REVISION HISTORY			
REV	DESCRIPTION	DATE	APPROVED



DRAWN	NAME	DATE	 <b>Dutypoint</b> Systems					
CHECKED	nigel	05/03/13						
ENG APPR					TITLE	SCUBATANK 1050 SINGLE		
MGR APPR					SIZE	A3	DWG NO	SCUBATANK 1050 SINGLE
UNLESS OTHERWISE SPECIFIED DIMENSIONS ARE IN MILLIMETERS ANGLES ±X.X° 2 PL ±X.XX 3 PL ±X.XXX			FILE NAME: SCUBATANK 1050.dft					
SCALE:		WEIGHT:		SHEET 1 OF 1				