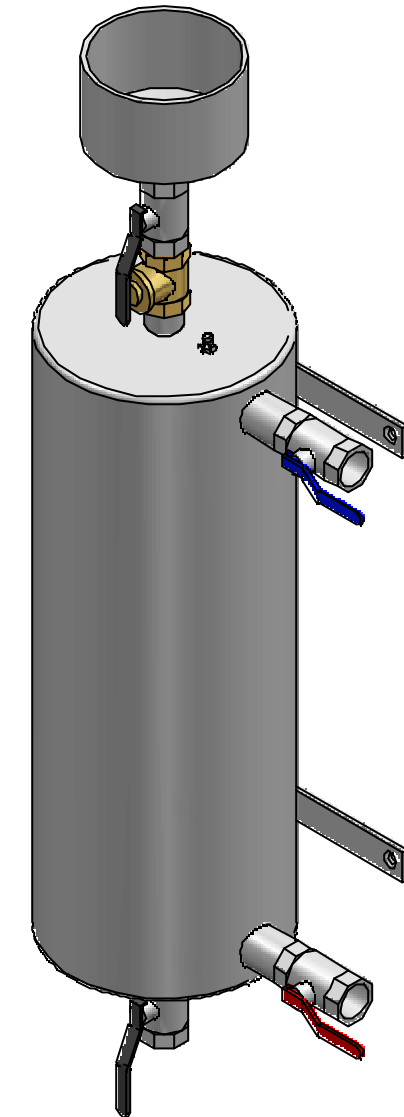
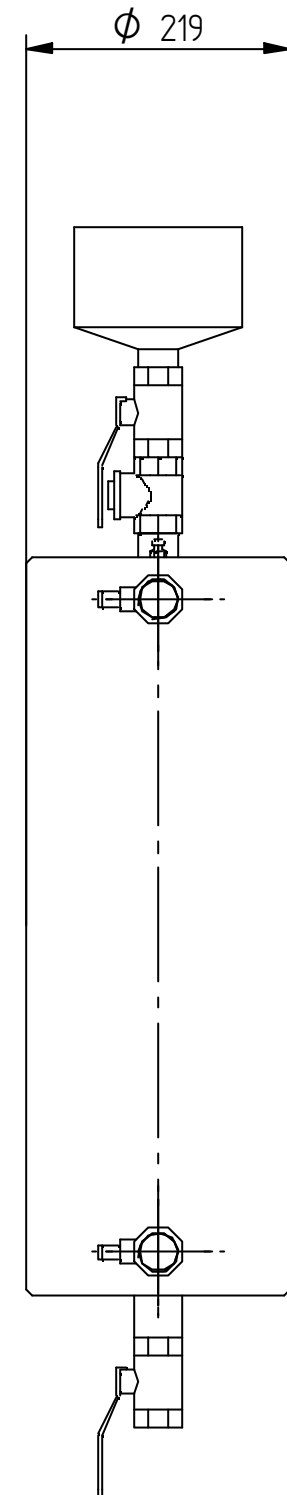
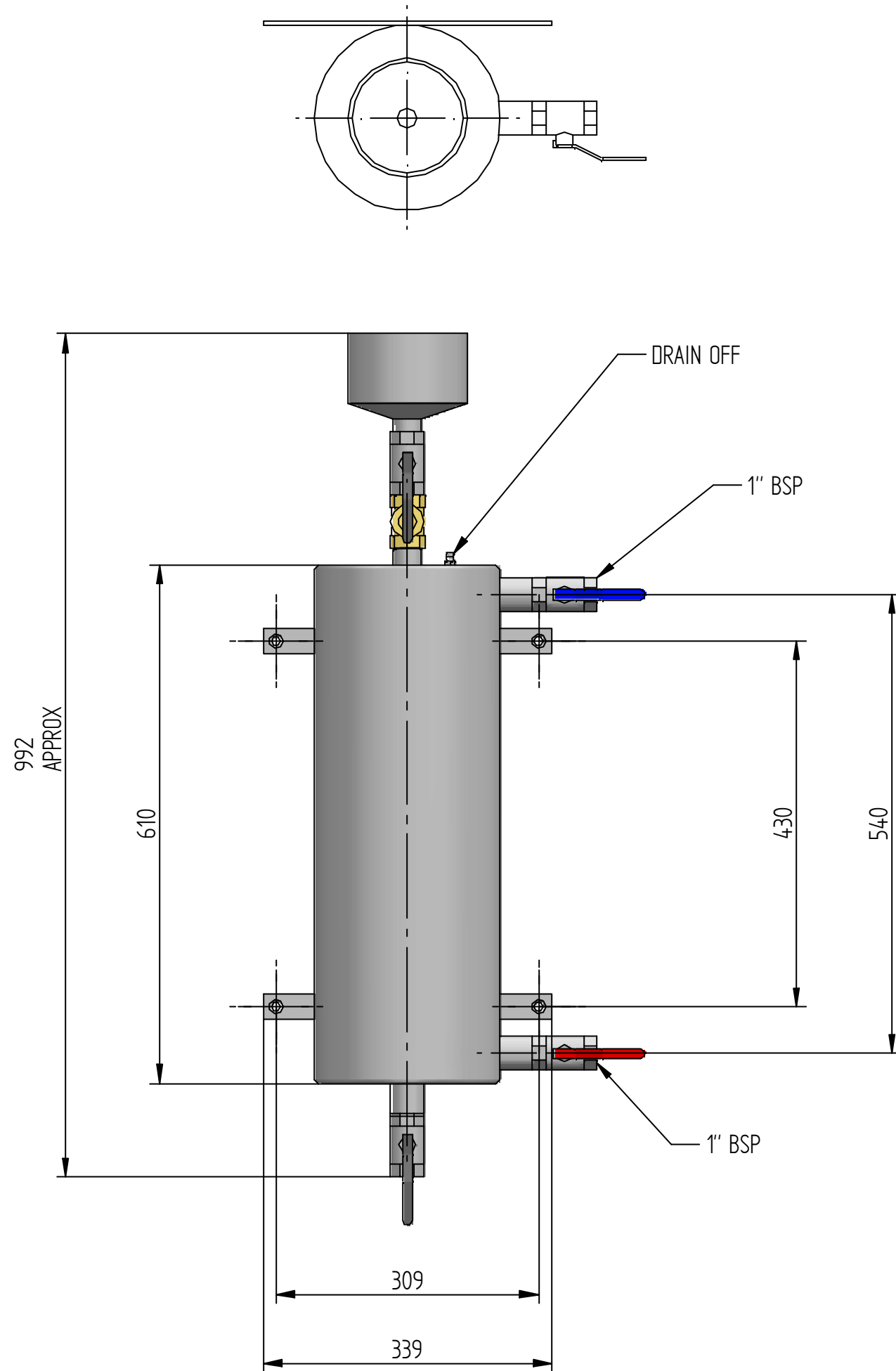


REVISION HISTORY

REV	DESCRIPTION	DATE	APPROVED



NAME	DATE				
DRAWN	NIGEL			18/07/13	
CHECKED					
ENG APPR					
MGR APPR			TITLE	MODEL 15	
UNLESS OTHERWISE SPECIFIED DIMENSIONS ARE IN MILLIMETERS ANGLES \pm X.X° 2 PL \pm X.XX 3 PL \pm X.XXX			SIZE	DWG NO	REV
			A3	DOSING POT - 219X610	
			FILE NAME:	ASSEMBLY 15.dft	
		SCALE:	WEIGHT:	SHEET 1 OF 1	